

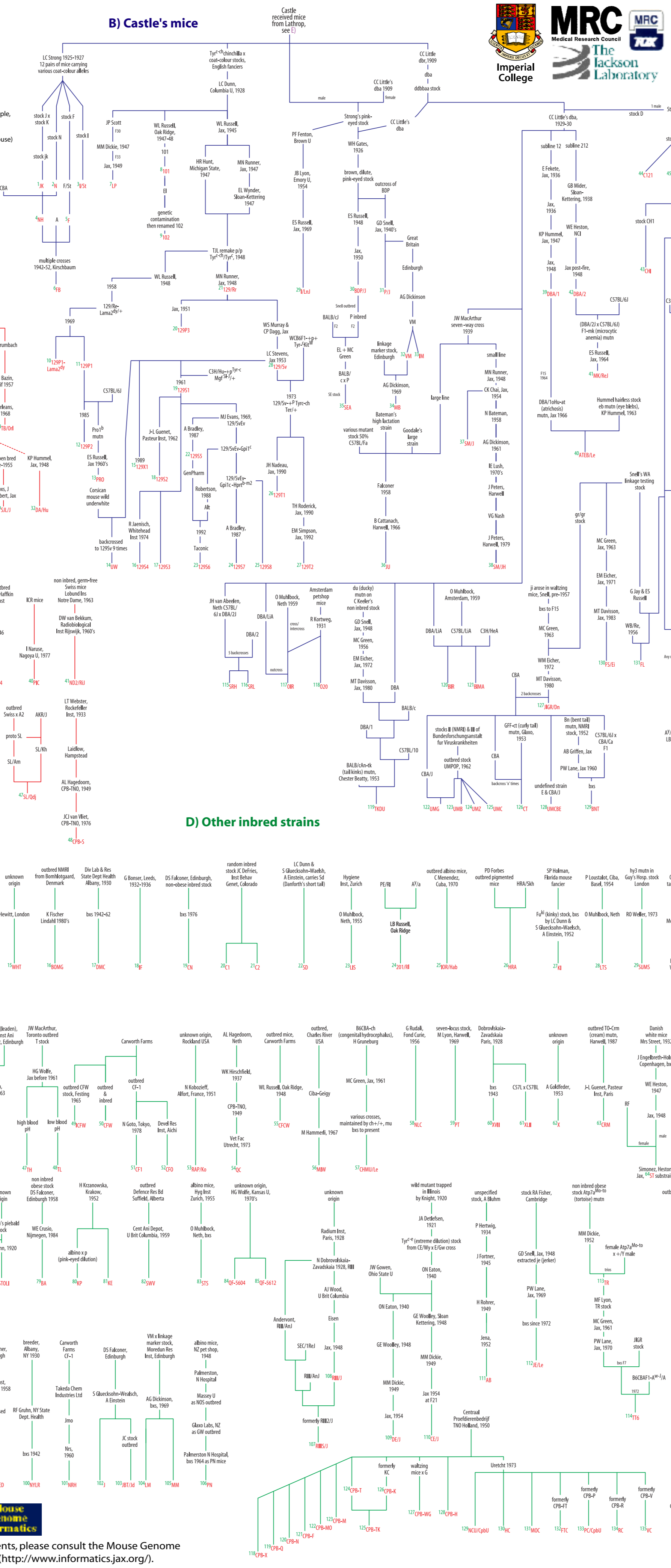
Inbred strain categories

- A) Swiss mice
- B) Castle's mice
- C) Strains derived from colonies from China and Japan
- D) Other inbred strains
- E) C57-related strains
- F) Strains derived from wild mice
- G) Mice derived from multiple inbred strains

Note: categories are intended to help the researchers find or define strains of interest and should not be regarded as fixed or mutually exclusive. Species and subspecies are as described in the relevant reference.

Design and layout: Jan Beck (MRC Prion Unit) Final artwork: Ray Young (MRC Prion Unit)

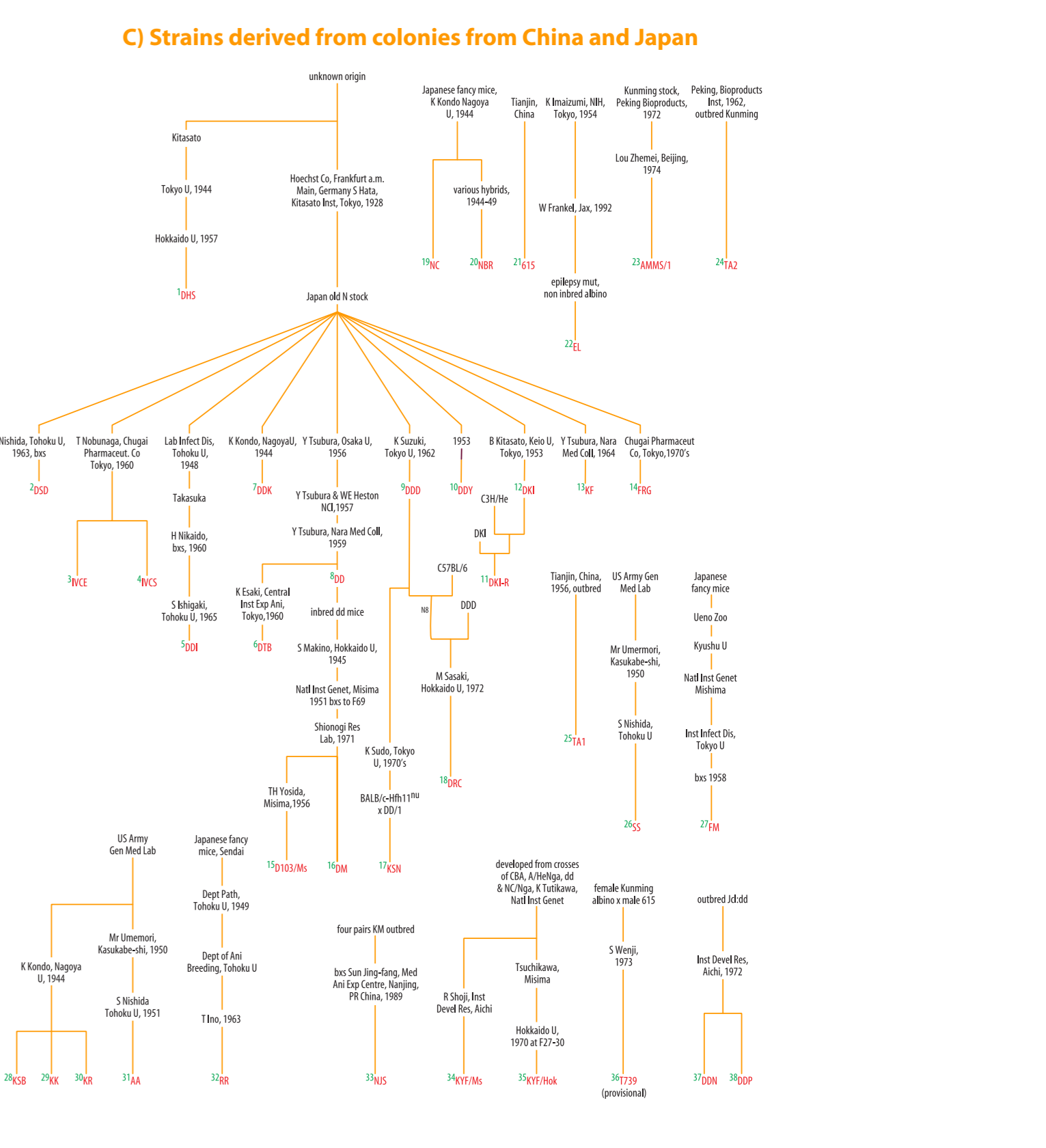
B) Castle's mice



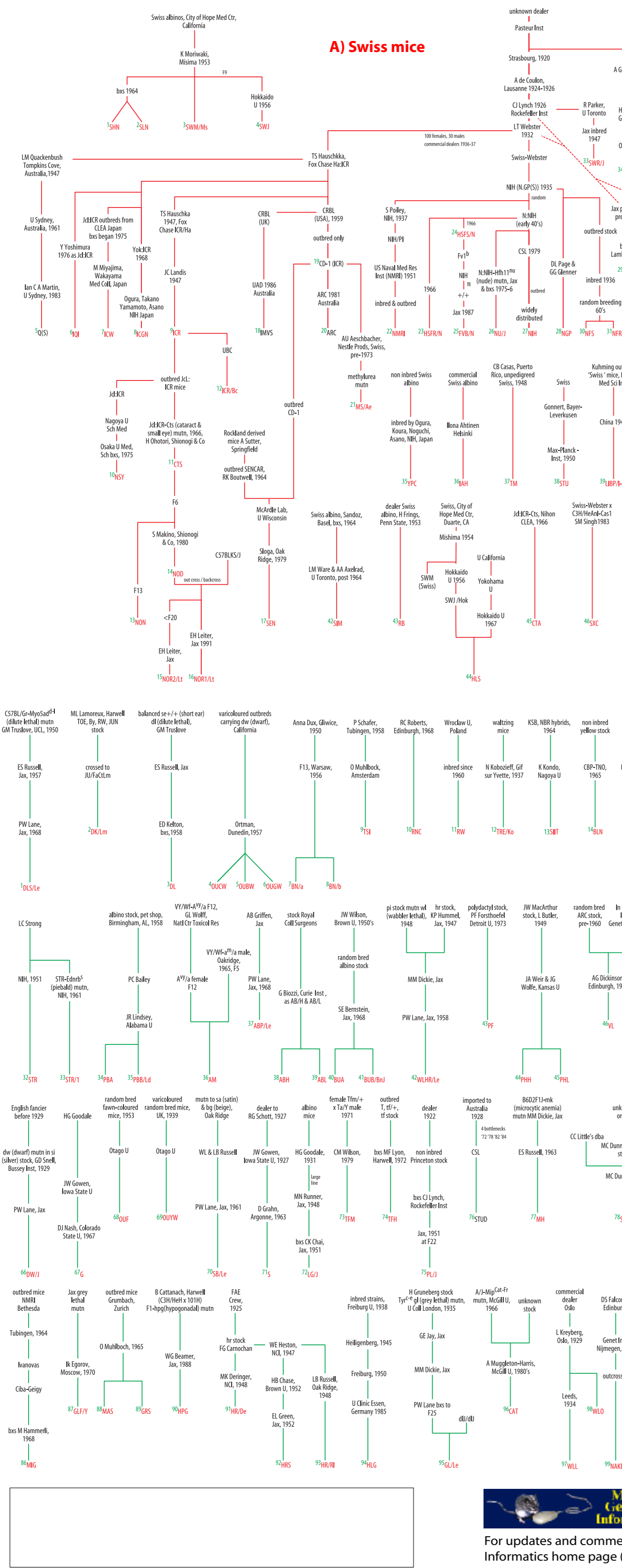
Genealogies of mouse inbred strains

Beck, J.A., Lloyd, S., Hafezparast, M., Lennon-Pierce, M., Eppig, J.T., Festing, M.F.W. & Fisher, E.M.C.
This poster accompanies the report by Beck et al. in the January issue of Nature Genetics (vol. 1, 23-25; 2000), both of which are freely available on the Nature Genetics web site (<http://genetics.nature.com/mouse>).

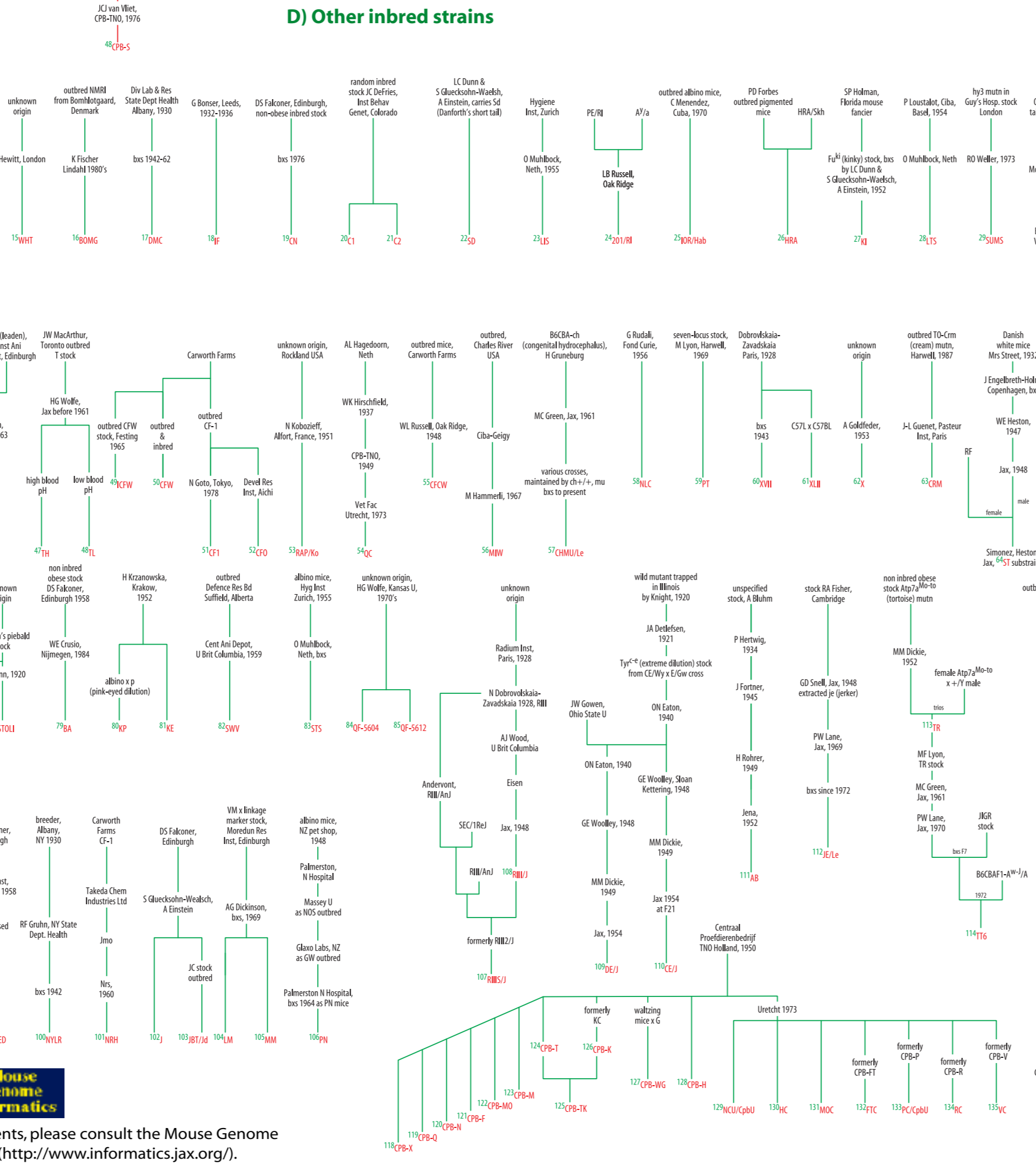
C) Strains derived from colonies from China and Japan



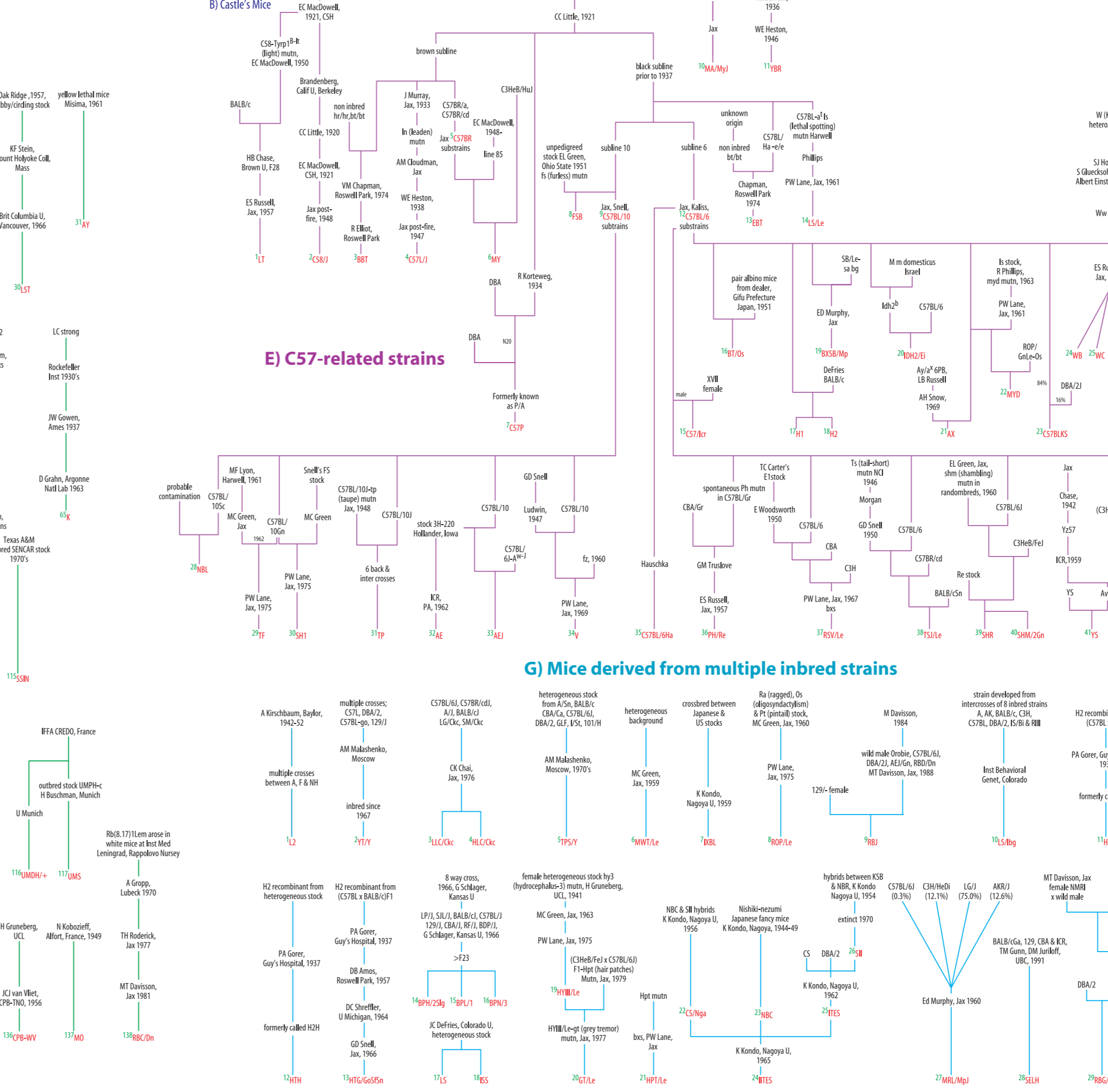
A) Swiss mice



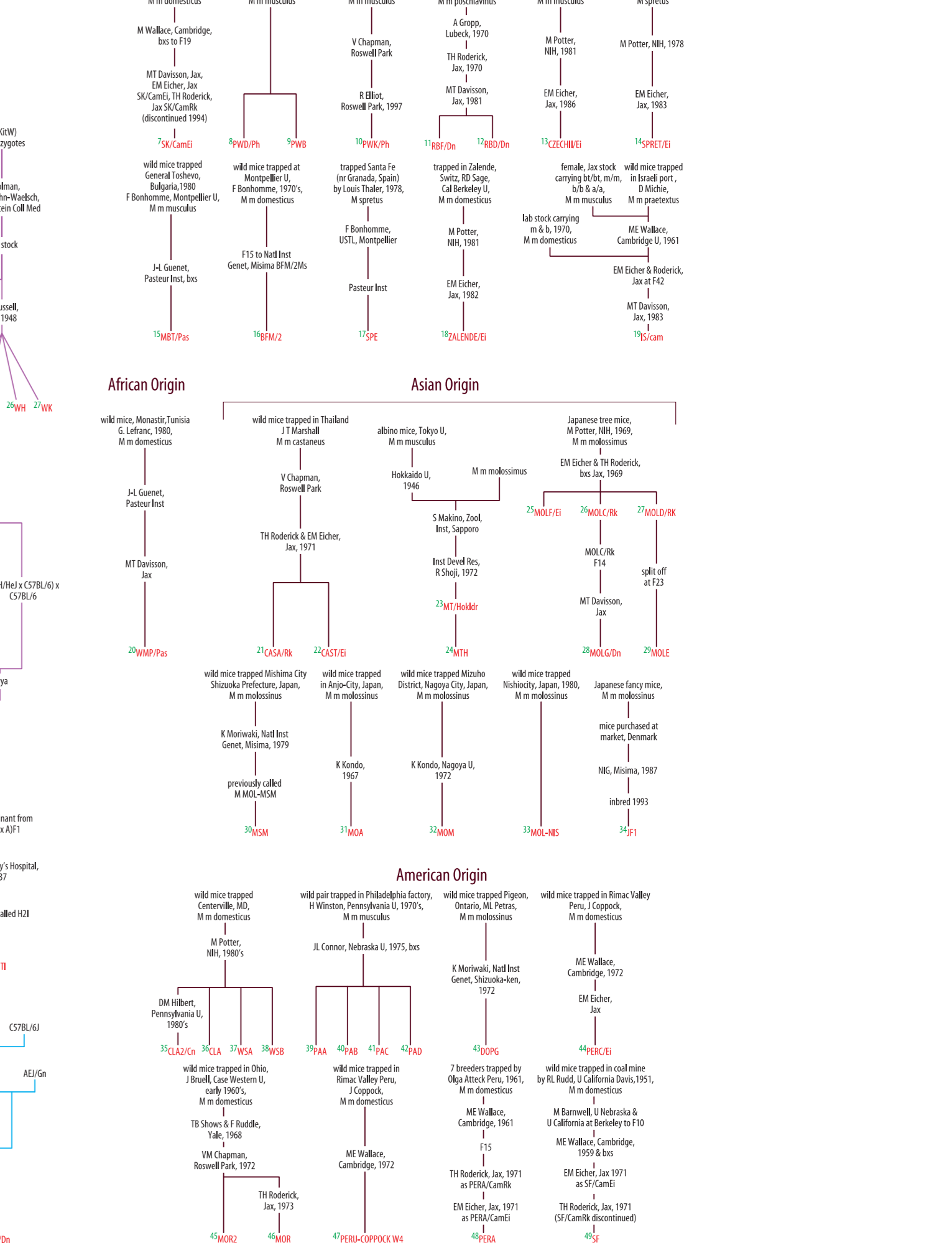
D) Other inbred strains



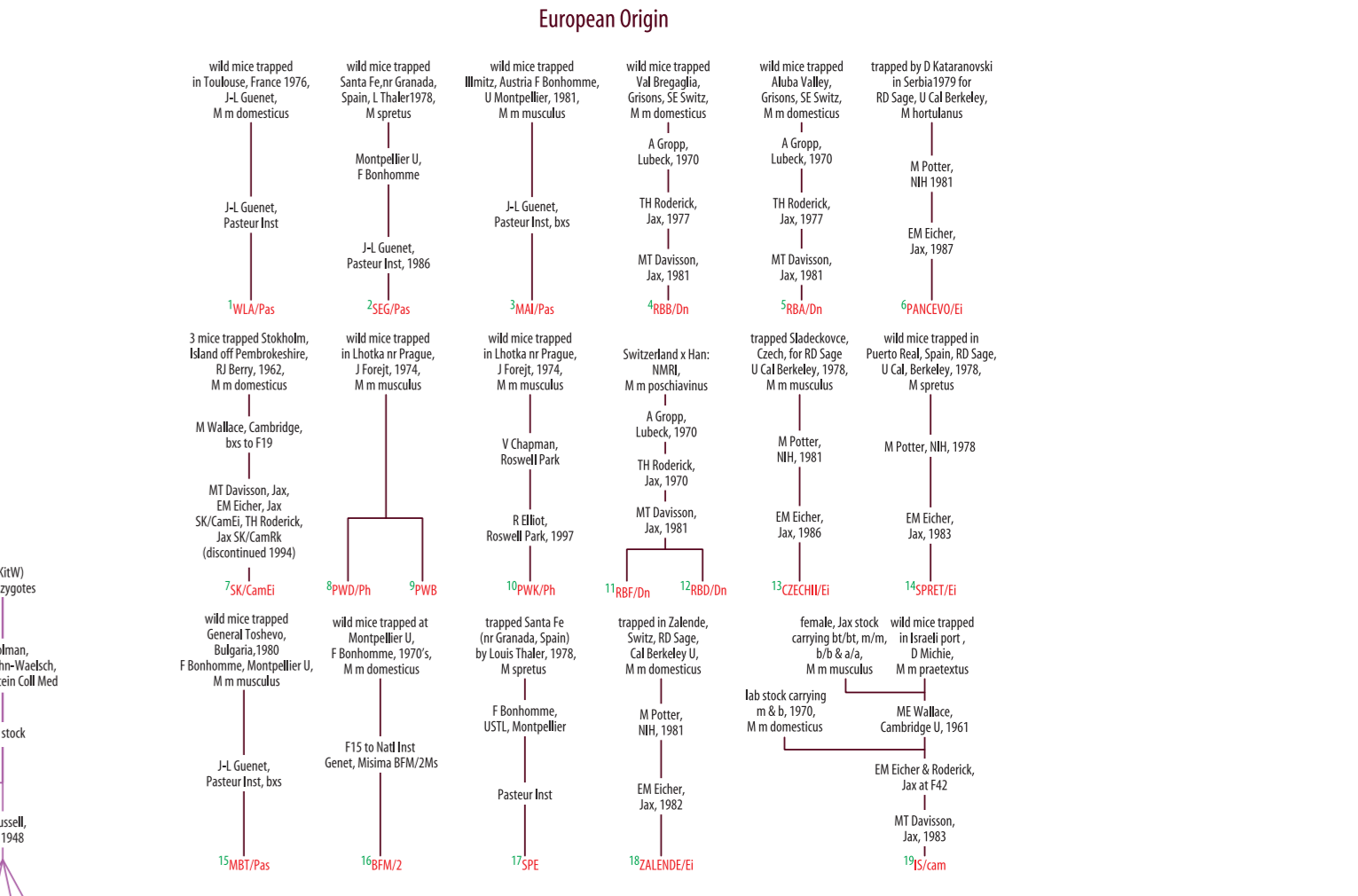
E) C57-related strains



G) Mice derived from multiple inbred strains



F) Strains derived from wild mice



For updates and comments, please consult the Mouse Genome Informatics home page (<http://www.informatics.jax.org/>).